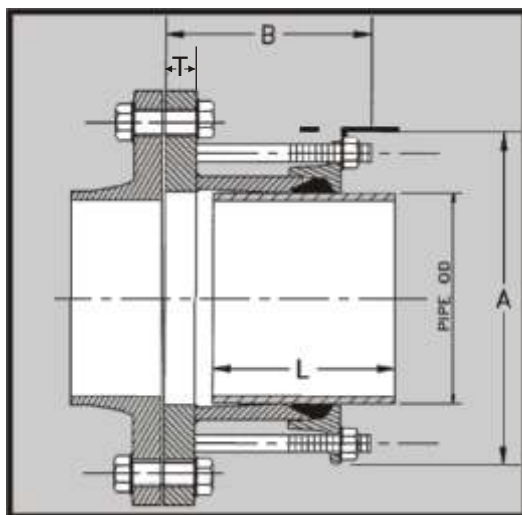


VARIplus-DFA DEDICATED FLANGE ADAPTORS

- KLAMFLEX VARIplus-DFA Dedicated Flange Adaptors are manufactured to join plain-ended pipe to flanged valves, fittings and pipes, obviating difficulties usually experienced with rigid connections.
- KLAMFLEX VARIplus-DFA Dedicated Flange Adaptors are supplied to suit the pressure rating of the flange. The overall pressure rating of the assembled adaptor will be equal to that of the lower rated component, either pipe or flange.
- Klamflex Restraint Flange Adaptors can also be supplied where end pull out is of concern.
- When ordering KLAMFLEX VARIplus-DFA Dedicated Flange Adaptors the following information is required to avoid the possibility of error in flange selections:
 - Pipe outside diameter.
 - Nominal bore of the flanged fitting.
 - Table drilling with standard applicable.
- The thickness of KLAMFLEX VARIplus-DFA Flanges will not necessarily be the same as the mating flange due to the fact that the flange of the Flange Adaptor will not be subject to the full end or side thrust, most of which is absorbed by the flexibility in the rubber gaskets. Refer to column "T" on pages 13-14.
- KLAMFLEX VARIplus-DFA Flange Adaptors can be manufactured with full sleeves to prevent end pullout on PE, HDPE and GRP pipes.





KLAMFLEX VARIplus-DFA FLANGE ADAPTORS : STEEL PIPES
FLANGES DRILLED PN10 OR PN16, 1000/3 OR 1600/3 (BS10: A,D,E)
AND ANSI 125/ 150

DN	PIPE OD	TOLERANCE ON PIPE OD FOR DISTANCE L		MINIMUM LENGTH PREPARED PIPE END	OD OF ENDRING	FLANGE ADAPTOR LENGTH	TABLE FLANGE THICKNESS	APPROX. MASS
		(mm)	(mm)	L (mm)	A (mm)	B (mm)	T (mm)	
50	60.3	+0.8	-0.8	100	134	152	12	3.1
65	76.1	+0.8	-0.8	100	150	102	12	3.4
80	88.9	+0.8	-0.8	100	165	102	12	3.9
100	114.3	+0.8	-0.8	100	191	102	12	4.5
125	139.7	+1.6	-0.8	100	220	104	14	6.5
150	165.1	+1.6	-0.8	100	246	106	16	7.5
150	168.3	+1.6	-0.8	100	246	106	16	7.5
200	219.1	+1.6	-0.8	100	308	106	16	10
250	267	+1.6	-0.8	100	360	109	19	15.5
250	273	+1.6	-0.8	100	364	109	19	14.6
300	323.9	+1.6	-0.8	100	414	109	19	17.3
350	355.6	+1.6	-1.6	150	458	153	23	33.5
400	406.4	+1.6	-1.6	150	509	154	24	39.6
450	457	+1.6	-1.6	150	559	154	24	45.5
500	508	+1.6	-1.6	150	610	155	25	55.6
600	610	+1.6	-1.6	150	712	155	25	70.6
700	711	+1.6	-1.6	150	813	155	25	71.6
800	813	+1.6	-1.6	150	915	155	25	84.4
900	914	+1.6	-1.6	150	1016	155	25	90.1
1000	1016	+1.6	-1.6	150	1118	157	27	118.6
1200	1219	+1.6	-1.6	150	1335	165	35	198
1400	1420	+1.6	-3	150	1536	175	45	275.9
1600	1620	+3	-3	150	1736	190	60	439.1
1800	1820	+3	-3	150	1936	190	60	494.1
2000	2020	+3	-3	150/ 300	2134	190/ 290	60	TBA
2000	2032	+3	-3	150/ 300	2146	190/ 290	60	TBA

FOR COUPLINGS OF 25 AND 40 BAR WORKING PRESSURE PLEASE CONTACT KLAMFLEX

The above table includes samples of the sizes available, please contact KLAMFLEX for any other sizes up to 3500mm.

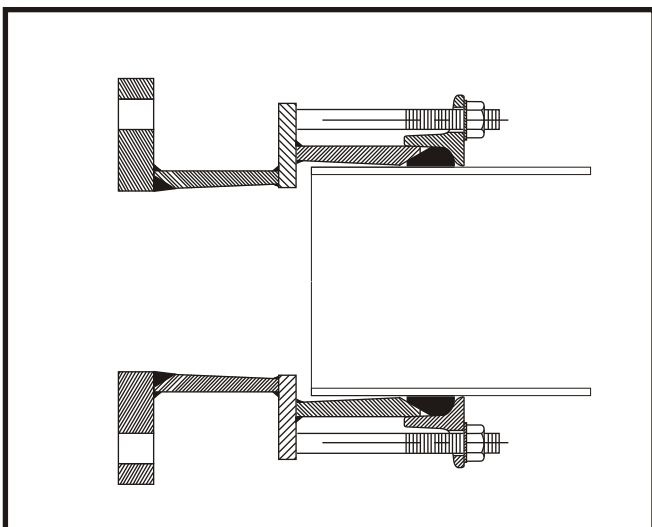
**KLAMFLEX VARIplus-DFA FLANGE ADAPTORS: DUCTILE IRON PIPES
FLANGES DRILLED PN10 OR PN16, 1000/3 OR 1600/3 (BS10: A,D,E)
AND ANSI 125/ 150**

DN	PIPE OD	TOLERANCE ON PIPE OD FOR DISTANCE L		MINIMUM LENGTH PREPARED PIPE END	OD OF ENDRING	FLANGE ADAPTOR LENGTH	TABLE FLANGE THICKNESS	APPROX. MASS
(mm)	(mm)	(mm)		(mm)	(mm)	(mm)	(mm)	(kg)
100	118	+1.0	-3.0	100	200	102	12	4.5
150	170	+1.0	-3.0	100	260	106	16	7.8
200	222	+1.0	-3.5	100	308	106	16	9.8
250	274	+1.0	-3.5	100	364	109	19	14.7
300	326	+1.0	-3.5	100	414	109	19	17.1
350	378	+1.0	-3.5	150	480	153	23	32
400	429	+1.0	-4.0	150	531	154	24	37.5
450	480	+1.0	-4.0	150	582	154	24	42.9
500	532	+1.0	-4.0	150	634	155	25	52.5
600	635	+1.0	-4.5	150	737	155	25	66.5
700	738	+1.0	-4.5	150	840	155	25	66.5
800	842	+1.0	-4.5	150	944	155	25	77.9
900	945	+1.0	-5.0	150	1047	155	25	82.1
1000	1048	+1.0	-5.0	150	1150	157	27	108.7
1200	1255	+1.0	-6.0	150	1371	165	35	180.3
1400	1462	+1.0	-6.0	150	1578	175	45	244.1
1600	1668	+1.0	-6.0	150	1784	190	60	382.7
1800	1875	+1.0	-6.0	150	1989	190	60	TBA
2000	2082	+1.0	-6.0	150/300	2196	190/290	60	TBA

FOR COUPLINGS OF 25 AND 40 BAR WORKING PRESSURE PLEASE CONTACT KLAMFLEX

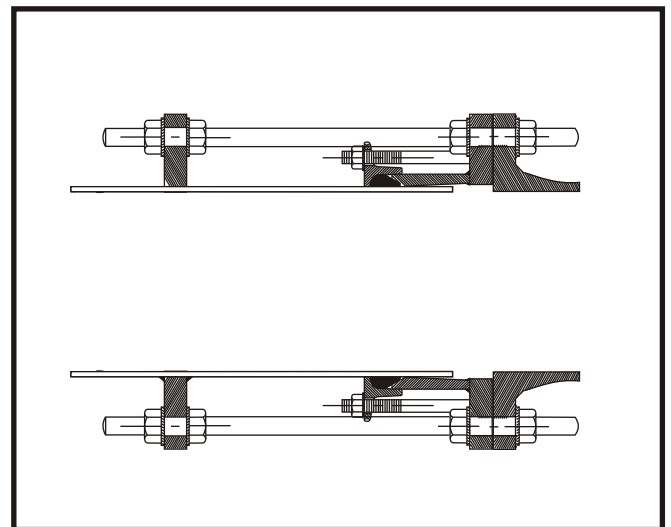
The above table includes samples of the sizes available, please contact KLAMFLEX for any other sizes up to 3500mm.

KLAMFLEX STEPPED FLANGE ADAPTORS



KLAMFLEX Stepped Flange Adaptors can be manufactured where pipe nominal bore is larger (as indicated above) or smaller than flange nominal bore.

KLAMFLEX RESTRAINT FLANGE ADAPTORS



KLAMFLEX Restraint Flange adaptors can be manufactured where end pull out is of concern.