

VARIplus-DJ DISMANTLING JOINTS

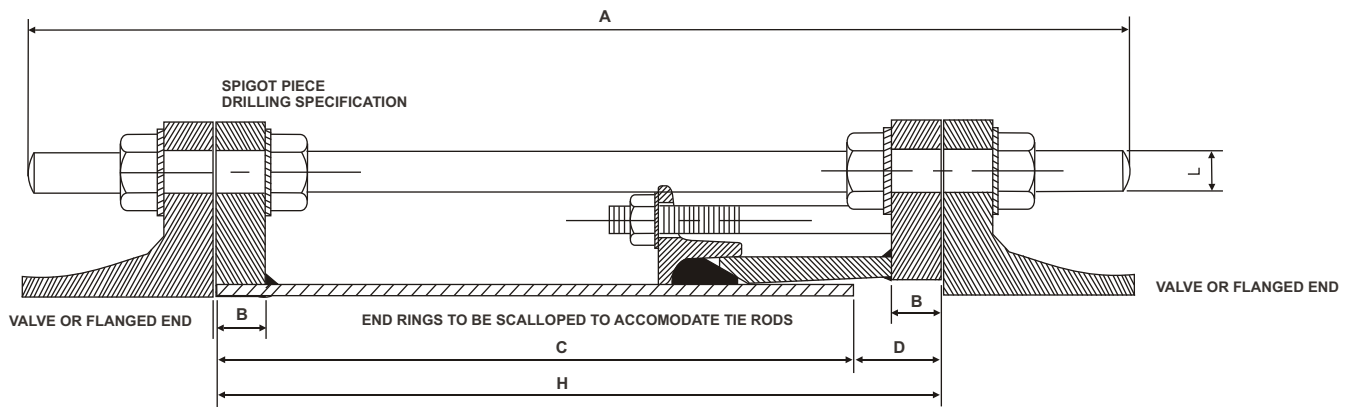
Manufactured to AWWA C219 under quality management systems accredited to ISO 9001:2000, the KLAMFLEX VARIplus-DJ Dismantling Joint assembly is a double flanged composite fitting featuring a telescopic action between a flanged spigot and a flange adaptor. The joint is designed to provide longitudinal adjustment in flanged pipe systems. Dismantling Joints provide a simple method for the installation and removal of flanged valves, pumps, flow meters, flanged pipes and pipe fittings. Tie rods are provided for final anchoring and location and these also double as mating flange jointing bolts, reducing the number of these required.

The Dismantling Joint range from KLAMFLEX extends from 50mm to 2000mm and whilst the chart indicates flange ratings of PN10/16, all common drillings are available in pressures up to 40 BAR. The range indicated overleaf is typical and KLAMFLEX can manufacture to specific customer specifications and dimensions, on request.

Thickness of Klamflex flanges will not necessarily be the same as the mating flange. Flanges and flange adaptors will not be subject to full end or side thrust, most of which is absorbed by the flexibility in the rubber gaskets. Pipe end should be smooth, with no seams, score marks, dents or ovality.

Installation is extremely simple and is generally done with the flange adaptor end connected to the valve or other appurtenance. In cases where a full faced flange is required, for example on wafer butterfly valves, the joint is simply turned round to use the spigot flange instead.





DN OF JOINT (mm)	FLANGE PN RATING (bar)	SPIGOT PIPE O.D. +/- (mm)	SPIGOT PIPE WALL THICK (mm)	C SPIGOT LENGTH INCLUDING FLANGE (mm)	B ADAPTOR & SPIGOT FLANGE THICKNESS (mm)	H MIN LENGTH OF JOINT (mm)	C + D RECOM. JOINT LENGTH (mm)	H MAX LENGTH OF JOINT (mm)	TIE ROD QTY	L	X	A TIE ROD LENGTH (mm)	APPROX MASS (kg)
50	PN 10/16	60	3.2	165	12	165	185	205	4	M16	X	300	9
65	PN 10/16	76	3.2	165	12	165	185	205	4	M16	X	300	10
80	PN 10/16	89	3.2	165	12	165	185	205	4	M16	X	300	12
100	PN 10/16	114	3.9	165	12	165	185	205	4	M16	X	300	13
125	PN 10/16	140	4.2	165	14	165	185	205	4	M16	X	300	16
150	PN 10/16	165	4.2	165	16	165	185	205	4	M20	X	320	23
200	PN 10	219	4.5	165	16	165	185	205	4	M20	X	320	31
200	PN 16	219	4.5	165	16	165	185	205	4	M20	X	320	33
250	PN 10	273	4.5	175	19	175	195	215	4	M20	X	330	34
250	PN 16	273	4.5	175	19	175	195	215	4	M24	X	350	38
300	PN 10	324	4.5	175	19	175	195	215	4	M20	X	330	43
300	PN 16	324	4.5	175	19	175	195	215	4	M24	X	350	44
350	PN 10	356	4.5	250	23	250	275	300	4	M20	X	420	49
350	PN 16	356	4.5	250	23	250	275	300	4	M24	X	450	71
400	PN 10	406	4.5	250	24	250	275	300	4	M24	X	450	77
400	PN 16	406	4.5	250	24	250	275	300	4	M27	X	470	88
450	PN 10	457	4.5	250	24	250	275	300	4	M24	X	450	95
450	PN 16	457	4.5	250	24	250	275	300	4	M27	X	470	99
500	PN 10	508	4.5	250	25	250	275	300	4	M24	X	450	111
500	PN 16	508	4.5	250	25	250	275	300	4	M30	X	500	131
600	PN 10	610	4.5	250	25	250	275	300	4	M27	X	480	135
600	PN 16	610	4.5	250	25	250	275	300	4	M33	X	520	175
700	PN 10	711	6.0	250	25	250	275	300	4	M27	X	480	168
700	PN 16	711	6.0	250	25	250	275	300	4	M33	X	520	184
800	PN 10	813	6.0	250	25	250	275	300	4	M30	X	500	200
800	PN 16	813	6.0	250	25	250	275	300	6	M36	X	550	220
900	PN 10	914	6.0	250	25	250	275	300	7	M30	X	520	225
900	PN 16	914	6.0	250	25	250	275	300	7	M36	X	570	245
1000	PN 10	1016	6.0	260	27	260	290	320	7	M33	X	560	298
1000	PN 16	1016	6.0	260	27	260	290	320	7	M39	X	610	331
1200	PN 10	1219	8.0	280	35	280	310	340	8	M36	X	610	496
1200	PN 16	1219	8.0	280	35	280	310	340	8	M45	X	680	559
1400	PN 10	1420	8.0	310	45	310	340	370	9	M39	X	670	610
1400	PN 16	1420	10.0	310	45	310	340	370	9	M45	X	730	665
1600	PN 10	1620	10.0	350	60	350	380	410	8	M45	X	750	1250
1600	PN 16	1620	10.0	350	60	350	380	410	8	M52	X	850	1320
1800	PN 10	1820	10.0	350	60	350	380	410	11	M45	X	770	1300
1800	PN 16	1820	10.0	350	60	350	380	410	11	M52	X	850	1500
2000	PN 10	2020	12.0	350	60	350	380	410	12	M45	X	800	1490
2000	PN 16	2020	12.0	350	60	350	380	410	12	M56	X	890	1750

FOR COUPLINGS OF 25 & 40 BAR WORKING PRESSURE PLEASE CONTACT KLAMFLEX
 THE ABOVE TABLE INCLUDES SAMPLES OF THE SIZES AVAILABLE, PLEASE CONTACT KLAMFLEX FOR ANY OTHER SIZES.